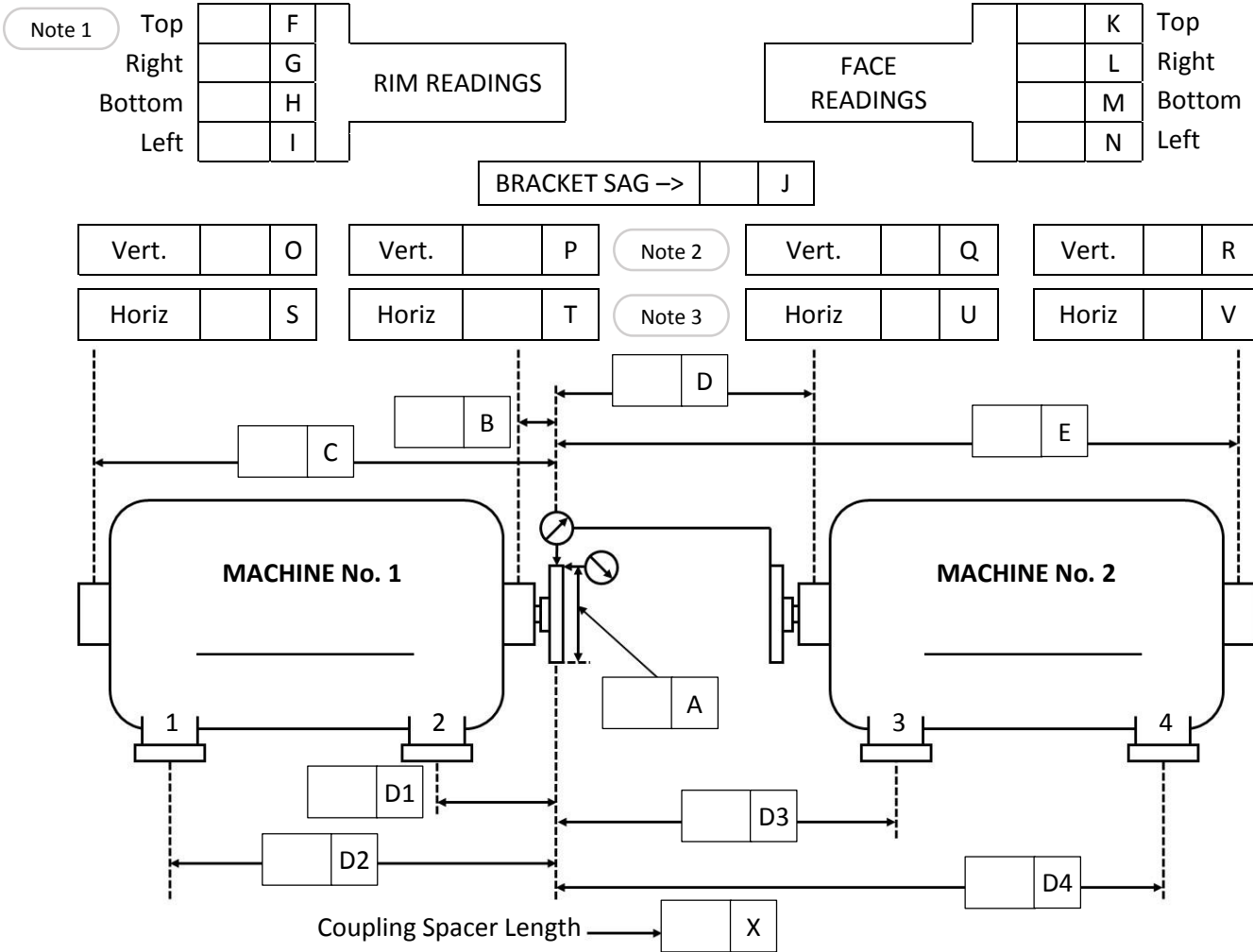


# SKETCH No. 201

## FACE & RIM



NOTE 1: RIGHT AND LEFT REFERS TO THE RIGHT AND LEFT HAND SIDES OF THE EQUIPMENT TRAIN. THE RIGHT HAND SIDE OF THE MACHINE NO. 1 IS ON THE SAME SIDE OF THE TRAIN AS IS THE RIGHT HAND SIDE OF MACHINE NO. 2.

NOTE 2: EXPECTED VERTICAL MOVEMENTS UPWARD ARE POSITIVE (+). DOWNWARD ARE NEGATIVE (-).

NOTE 3: EXPECTED HORIZONTAL MOVEMENTS TO THE RIGHT ARE POSITIVE (+). TO THE LEFT ARE NEGATIVE (-).

<b>THE PRESENT COUPLING ALIGNMENT IS AS FOLLOWS:</b>			
COLD CLASS	(DEGREES)	HOT-CLASS	(DEGREES)

TO IMPROVE ALIGNMENT, DO THE FOLLOWING:

IF YOU MOVE MACHINE NO. 1				IF YOU MOVE MACHINE NO. 2			
AT SUPPORT 1		AT SUPPORT 2		AT SUPPORT 3		AT SUPPORT 4	
ADD		ADD		ADD		ADD	
REMOVE		REMOVE		REMOVE		REMOVE	
RIGHT		RIGHT		RIGHT		RIGHT	
LEFT		LEFT		LEFT		LEFT	

EQUIPMENT NO. \_\_\_\_\_ COMMENTS: \_\_\_\_\_

DATE: \_\_\_\_\_

BY: \_\_\_\_\_

PLEASE REFER TO THE INSTRUCTION BOOK FOR DETAILS

# SKETCH No. 202

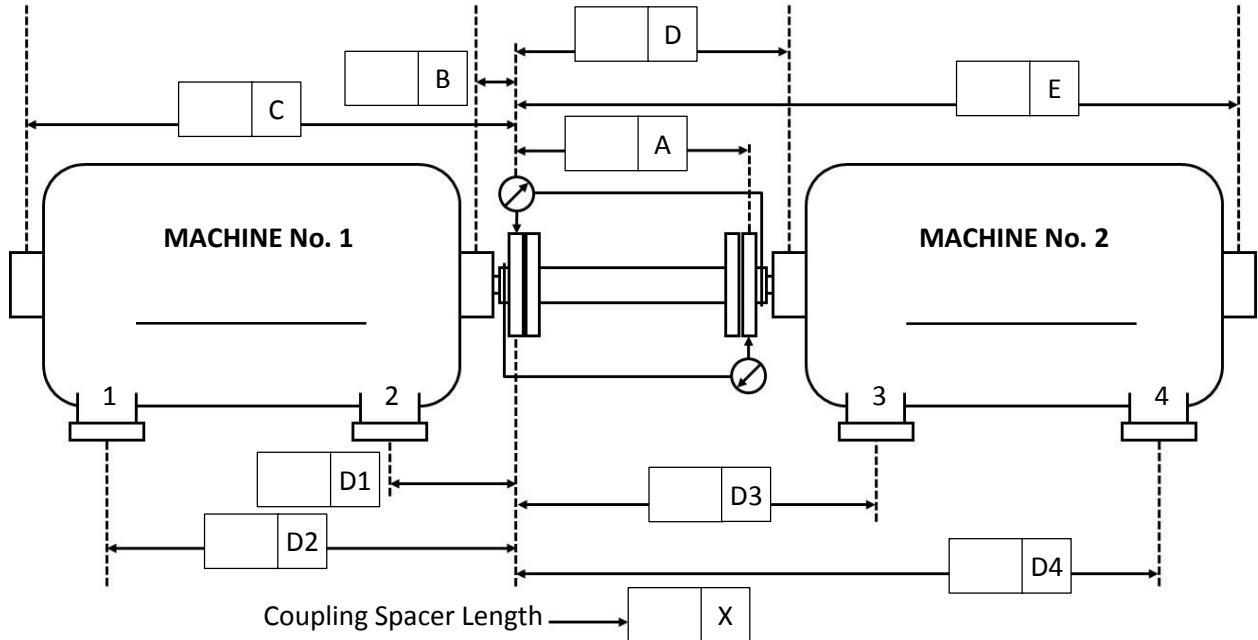
## REVERSE INDICATOR

Note 1

Top	F	DIAL READINGS
Right	G	
Bottom	H	
Left	I	
Bracket Sag	J	

DIAL READINGS	K	Top
	L	Right
	M	Bottom
	N	Left
	O	Bracket Sag

Vert.	P	Vert.	Q	Note 2	Vert.	R	Vert.	S
Horiz	T	Horiz	U	Note 3	Horiz	V	Horiz	W



- NOTE 1: RIGHT AND LEFT REFERS TO THE RIGHT AND LEFT HAND SIDES OF THE EQUIPMENT TRAIN. THE RIGHT HAND SIDE OF THE MACHINE NO. 1 IS ON THE SAME SIDE OF THE TRAIN AS IS THE RIGHT HAND SIDE OF MACHINE NO. 2.
- NOTE 2: EXPECTED VERTICAL MOVEMENTS UPWARD ARE POSITIVE (+). DOWNWARD ARE NEGATIVE (-).
- NOTE 3: EXPECTED HORIZONTAL MOVEMENTS TO THE RIGHT ARE POSITIVE (+). TO THE LEFT ARE NEGATIVE (-).

THE PRESENT COUPLING ALIGNMENT IS AS FOLLOWS:			
COLD CLASS	<input style="width: 50px;" type="text"/>	(DEGREES)	HOT-CLASS <input style="width: 50px;" type="text"/> (DEGREES)

TO IMPROVE ALIGNMENT, DO THE FOLLOWING:

IF YOU MOVE MACHINE NO. 1				IF YOU MOVE MACHINE NO. 2			
AT SUPPORT 1		AT SUPPORT 2		AT SUPPORT 3		AT SUPPORT 4	
ADD	<input style="width: 30px;" type="text"/>	ADD	<input style="width: 30px;" type="text"/>	ADD	<input style="width: 30px;" type="text"/>	ADD	<input style="width: 30px;" type="text"/>
REMOVE	<input style="width: 30px;" type="text"/>	REMOVE	<input style="width: 30px;" type="text"/>	REMOVE	<input style="width: 30px;" type="text"/>	REMOVE	<input style="width: 30px;" type="text"/>
RIGHT	<input style="width: 30px;" type="text"/>	RIGHT	<input style="width: 30px;" type="text"/>	RIGHT	<input style="width: 30px;" type="text"/>	RIGHT	<input style="width: 30px;" type="text"/>
LEFT	<input style="width: 30px;" type="text"/>	LEFT	<input style="width: 30px;" type="text"/>	LEFT	<input style="width: 30px;" type="text"/>	LEFT	<input style="width: 30px;" type="text"/>

EQUIPMENT NO. \_\_\_\_\_ COMMENTS: \_\_\_\_\_

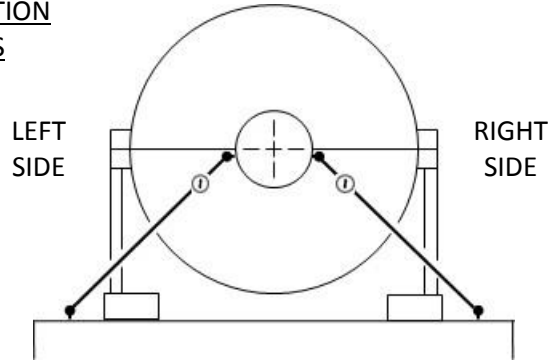
DATE: \_\_\_\_\_

BY: \_\_\_\_\_

PLEASE REFER TO THE INSTRUCTION BOOK FOR DETAILS

# SKETCH No. 401

PLEASE SEE THE INSTRUCTION  
MANUAL FOR DETAILS



EQUIPMENT LOCATION				EQUIPMENT MOVEMENT			
	<input type="text"/> A	Angle	<input type="text"/> D	Up	<input type="text"/>	<input type="text"/>	
	<input type="text"/> B	Cold	<input type="text"/> E	Down	<input type="text"/>	<input type="text"/>	
	<input type="text"/> C	Hot	<input type="text"/> F	Right	<input type="text"/>	<input type="text"/>	
	<input type="text"/> C	Hot	<input type="text"/> F	Left	<input type="text"/>	<input type="text"/>	
	<input type="text"/> A	Angle	<input type="text"/> D	Up	<input type="text"/>	<input type="text"/>	
	<input type="text"/> B	Cold	<input type="text"/> E	Down	<input type="text"/>	<input type="text"/>	
	<input type="text"/> C	Hot	<input type="text"/> F	Right	<input type="text"/>	<input type="text"/>	
	<input type="text"/> C	Hot	<input type="text"/> F	Left	<input type="text"/>	<input type="text"/>	
	<input type="text"/> A	Angle	<input type="text"/> D	Up	<input type="text"/>	<input type="text"/>	
	<input type="text"/> B	Cold	<input type="text"/> E	Down	<input type="text"/>	<input type="text"/>	
	<input type="text"/> C	Hot	<input type="text"/> F	Right	<input type="text"/>	<input type="text"/>	
	<input type="text"/> C	Hot	<input type="text"/> F	Left	<input type="text"/>	<input type="text"/>	

EQUIPMENT NO. \_\_\_\_\_ EQUIPMENT LOCATION: \_\_\_\_\_

COLD ALIGNMENT DATA      DATE: \_\_\_\_\_      TIME: \_\_\_\_\_      BY: KWG

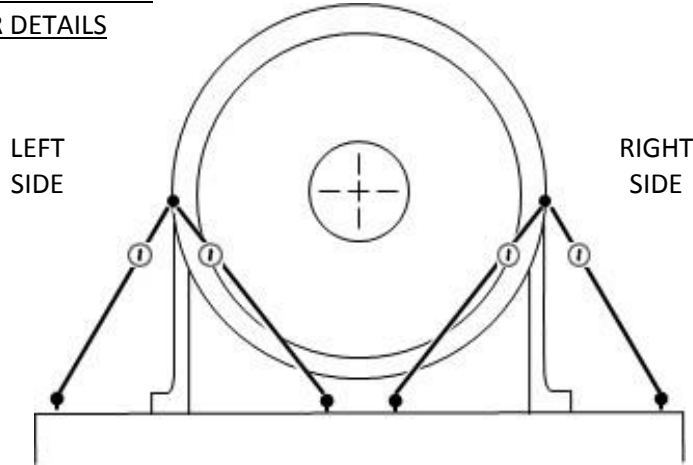
HOT ALIGNMENT DATA      DATE: \_\_\_\_\_      TIME: \_\_\_\_\_      BY: KWG

COMMENTS: \_\_\_\_\_

\_\_\_\_\_

# SKETCH No. 402

PLEASE SEE THE INSTRUCTION  
MANUAL FOR DETAILS



EQUIPMENT LOCATION									EQUIPMENT MOVEMENT													
	Angle	<input type="text"/>	A	<input type="text"/>	D	<input type="text"/>	G	<input type="text"/>	J	<table border="1" style="width: 100%; border-collapse: collapse;"> <tr><td>Up</td><td><input type="text"/></td><td><input type="text"/></td></tr> <tr><td>Down</td><td><input type="text"/></td><td><input type="text"/></td></tr> <tr><td>Right</td><td><input type="text"/></td><td><input type="text"/></td></tr> <tr><td>Left</td><td><input type="text"/></td><td><input type="text"/></td></tr> </table>	Up	<input type="text"/>	<input type="text"/>	Down	<input type="text"/>	<input type="text"/>	Right	<input type="text"/>	<input type="text"/>	Left	<input type="text"/>	<input type="text"/>
	Up	<input type="text"/>	<input type="text"/>																			
	Down	<input type="text"/>	<input type="text"/>																			
Right	<input type="text"/>	<input type="text"/>																				
Left	<input type="text"/>	<input type="text"/>																				
Cold	<input type="text"/>	B	<input type="text"/>	E	<input type="text"/>	H	<input type="text"/>	K														
Hot	<input type="text"/>	C	<input type="text"/>	F	<input type="text"/>	I	<input type="text"/>	L														
	Angle	<input type="text"/>	A	<input type="text"/>	D	<input type="text"/>	G	<input type="text"/>	J	<table border="1" style="width: 100%; border-collapse: collapse;"> <tr><td>Up</td><td><input type="text"/></td><td><input type="text"/></td></tr> <tr><td>Down</td><td><input type="text"/></td><td><input type="text"/></td></tr> <tr><td>Right</td><td><input type="text"/></td><td><input type="text"/></td></tr> <tr><td>Left</td><td><input type="text"/></td><td><input type="text"/></td></tr> </table>	Up	<input type="text"/>	<input type="text"/>	Down	<input type="text"/>	<input type="text"/>	Right	<input type="text"/>	<input type="text"/>	Left	<input type="text"/>	<input type="text"/>
	Up	<input type="text"/>	<input type="text"/>																			
	Down	<input type="text"/>	<input type="text"/>																			
Right	<input type="text"/>	<input type="text"/>																				
Left	<input type="text"/>	<input type="text"/>																				
Cold	<input type="text"/>	B	<input type="text"/>	E	<input type="text"/>	H	<input type="text"/>	K														
Hot	<input type="text"/>	C	<input type="text"/>	F	<input type="text"/>	I	<input type="text"/>	L														
	Angle	<input type="text"/>	A	<input type="text"/>	D	<input type="text"/>	G	<input type="text"/>	J	<table border="1" style="width: 100%; border-collapse: collapse;"> <tr><td>Up</td><td><input type="text"/></td><td><input type="text"/></td></tr> <tr><td>Down</td><td><input type="text"/></td><td><input type="text"/></td></tr> <tr><td>Right</td><td><input type="text"/></td><td><input type="text"/></td></tr> <tr><td>Left</td><td><input type="text"/></td><td><input type="text"/></td></tr> </table>	Up	<input type="text"/>	<input type="text"/>	Down	<input type="text"/>	<input type="text"/>	Right	<input type="text"/>	<input type="text"/>	Left	<input type="text"/>	<input type="text"/>
	Up	<input type="text"/>	<input type="text"/>																			
	Down	<input type="text"/>	<input type="text"/>																			
Right	<input type="text"/>	<input type="text"/>																				
Left	<input type="text"/>	<input type="text"/>																				
Cold	<input type="text"/>	B	<input type="text"/>	E	<input type="text"/>	H	<input type="text"/>	K														
Hot	<input type="text"/>	C	<input type="text"/>	F	<input type="text"/>	I	<input type="text"/>	L														
	Angle	<input type="text"/>	A	<input type="text"/>	D	<input type="text"/>	G	<input type="text"/>	J	<table border="1" style="width: 100%; border-collapse: collapse;"> <tr><td>Up</td><td><input type="text"/></td><td><input type="text"/></td></tr> <tr><td>Down</td><td><input type="text"/></td><td><input type="text"/></td></tr> <tr><td>Right</td><td><input type="text"/></td><td><input type="text"/></td></tr> <tr><td>Left</td><td><input type="text"/></td><td><input type="text"/></td></tr> </table>	Up	<input type="text"/>	<input type="text"/>	Down	<input type="text"/>	<input type="text"/>	Right	<input type="text"/>	<input type="text"/>	Left	<input type="text"/>	<input type="text"/>
	Up	<input type="text"/>	<input type="text"/>																			
	Down	<input type="text"/>	<input type="text"/>																			
Right	<input type="text"/>	<input type="text"/>																				
Left	<input type="text"/>	<input type="text"/>																				
Cold	<input type="text"/>	B	<input type="text"/>	E	<input type="text"/>	H	<input type="text"/>	K														
Hot	<input type="text"/>	C	<input type="text"/>	F	<input type="text"/>	I	<input type="text"/>	L														

EQUIPMENT NO. \_\_\_\_\_ EQUIPMENT LOCATION: \_\_\_\_\_

COLD ALIGNMENT DATA      DATE: \_\_\_\_\_      TIME: \_\_\_\_\_      BY: \_\_\_\_\_

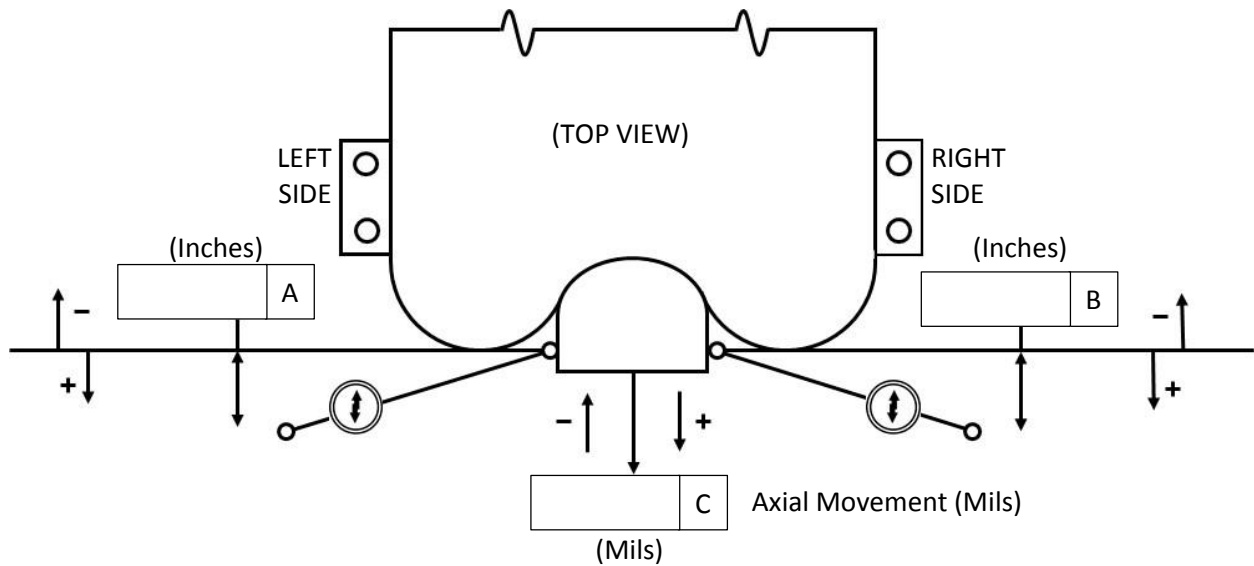
HOT ALIGNMENT DATA      DATE: \_\_\_\_\_      TIME: \_\_\_\_\_      BY: \_\_\_\_\_

COMMENTS: \_\_\_\_\_

\_\_\_\_\_  
\_\_\_\_\_

# SKETCH No. 403

PLEASE SEE THE INSTRUCTION  
MANUAL FOR DETAILS



Angle   A

Angle   G

Cold   B

Cold   H

Hot   C

Hot   I

## EQUIPMENT MOVEMENT

Up	<input type="text"/>	<input type="text"/>
Down	<input type="text"/>	<input type="text"/>

Right	<input type="text"/>	<input type="text"/>
Left	<input type="text"/>	<input type="text"/>

EQUIPMENT NO. \_\_\_\_\_ EQUIPMENT LOCATION: \_\_\_\_\_

COLD ALIGNMENT DATA      DATE: \_\_\_\_\_      TIME: \_\_\_\_\_      BY: \_\_\_\_\_

HOT ALIGNMENT DATA      DATE: \_\_\_\_\_      TIME: \_\_\_\_\_      BY: \_\_\_\_\_

COMMENTS: \_\_\_\_\_

\_\_\_\_\_