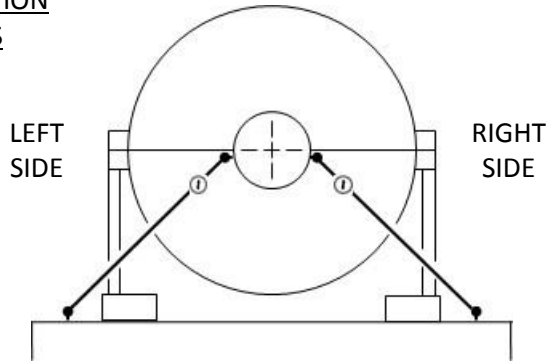


# SKETCH No. 401

PLEASE SEE THE INSTRUCTION  
MANUAL FOR DETAILS



EQUIPMENT LOCATION							EQUIPMENT MOVEMENT		
<i>Outboard End</i>	38	A	Angle	53	D		Up	X	7
							Down		
	37.615	B	Cold	41.157	E		Right		0
						Left			
<i>Coupling End</i>	41	A	Angle	44	D		Up	X	4
							Down		
	33.531	B	Cold	51.443	E		Right	X	1
						Left			
		A	Angle		D		Up		
							Down		
		B	Cold		E		Right		
	C	Hot		F		Left			
		A	Angle		D		Up		
							Down		
		B	Cold		E		Right		
	C	Hot		F		Left			

EQUIPMENT NO. K-153      EQUIPMENT LOCATION: Main

COLD ALIGNMENT DATA      DATE: 3-27-14      TIME: 3:15 PM      BY: KWG

HOT ALIGNMENT DATA      DATE: 4-3-14      TIME: 9:15 AM      BY: KWG

COMMENTS: Realignment After Turnaround