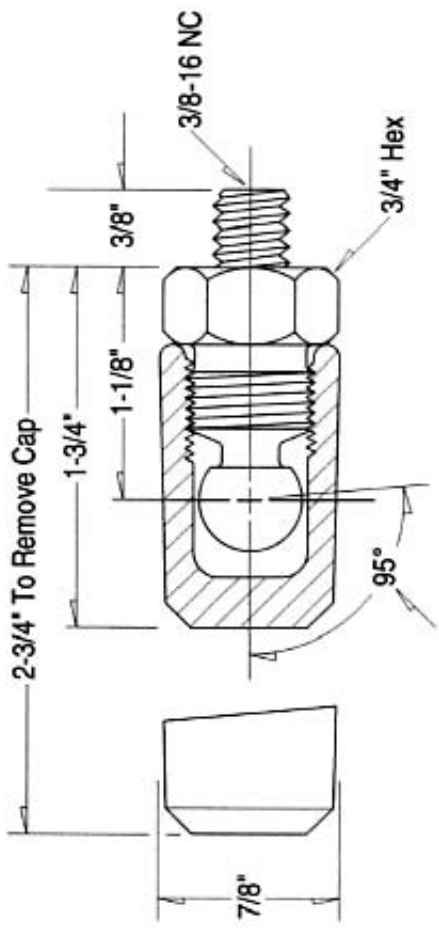
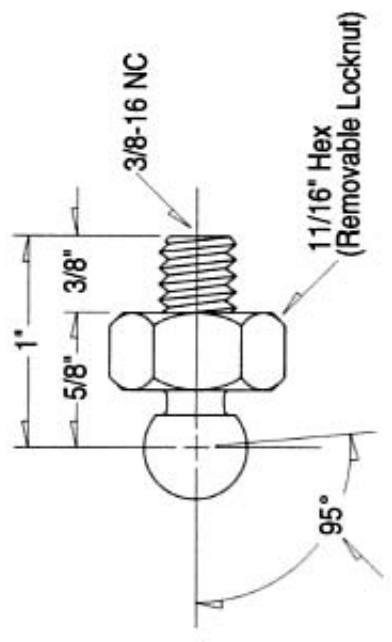


ITEM 10 -- COVERED BENCHMARK



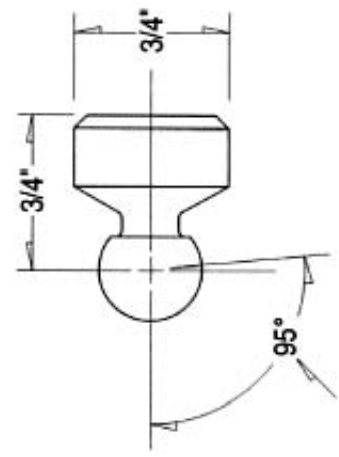
Useful Limits in Which to Use Benchmark Gauge

ITEM 13 -- THREADED BENCHMARK



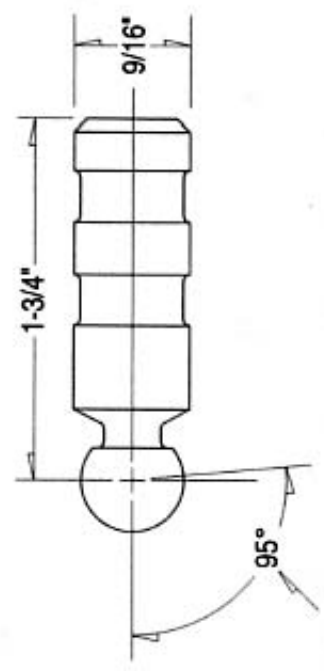
Useful Limits in Which to Use Benchmark Gauge

ITEM 14 -- WELD-ON BENCHMARK



Useful Limits in Which to Use Benchmark Gauge

ITEM 15 -- MASONRY BENCHMARK



Useful Limits in Which to Use Benchmark Gauge